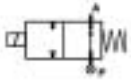


2/2 WAY DIRECT ACTING SOLENOID VALVE, G1/4"



normally open

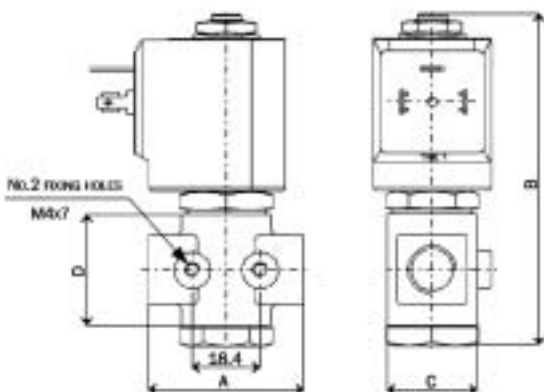
TYPE: RD236

TECHNICAL SPECIFICATIONS

Media: water, steam
Media temperature: -10°C ÷ +180°C
Ambient temperature: -10°C ÷ +70°C
Body material: brass (CW617N EN 12165)
Orifice material: stainless steel (AISI 303 EN 10088-3)
Operator material: stainless steel
Main seal material: Sigodur (filled PTFE)
Coil power: AC 18VA (holding)
AC 36VA (inrush)
DC 14W
Protection class: IP 65 (with connector)



SELECTION TABLE	VALVE	G connection	Nominal Diameter	Flow rate kvs	OPD			COILS class "H" only	
					min	max	max	Code	[Volts/Hz]
	Code	[ISO 228]	[mm]	[l/min]	[bar]	AC [bar]	DC [bar]	Code	[Volts/Hz]
	RD236DLA	1/4"	1.0	0.5	0	10	10	7251	24V DC
	RD236DLC	1/4"	1.5	1.3	0	10	10	7201	24V 50/60Hz
	RD236DLE	1/4"	2.0	2.0	0	10	10	7401	110V 50Hz - 120V 60Hz
	RD236DLH	1/4"	3.0	3.5	0	10	10	7601	200V 50Hz - 220V 60Hz
								7701	230V 50Hz - 240V 60Hz



DIMENSIONS & WEIGHTS

G connection	A	B	C	D	weight
[ISO 228]	[mm]	[mm]	[mm]	[mm]	[Kg]
1/4"	42	89	24.5	30.3	0.25

Flow direction overseat 1→2