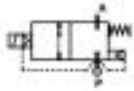


2/2 WAY PILOT OPERATED PISTON VALVE, G 1/4" ÷ G 1/2"

HIGH PRESSURE



normally closed

TYPE: D634/635/636DTT1

TECHNICAL SPECIFICATIONS

Media: water, air, oil
Media temperature: +10°C ÷ +130°C
Ambient temperature: -10°C ÷ +70°C
Body material: brass (CW617N EN 12165)
Orifice material: stainless steel (AISI 303 EN 10088-3)
Operator material: stainless steel
Seal material: PTFE
Coil consumption: AC 25VA (holding)
AC 50VA (inrush)
DC 22W
Protection class: IP 65 (with connector)

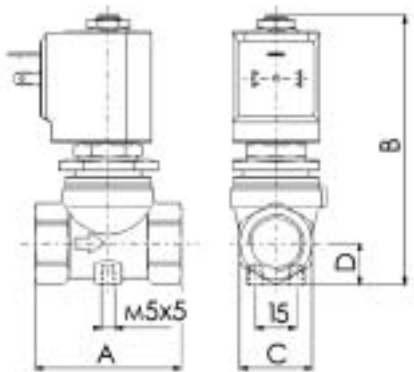
100 BAR



OPTIONS

Electroless nickel plating treatment (Ex. code D636DTTK1)

SELECTION TABLE	VALVE	G connection	Nominal Diameter	Flow rate kvs	OPD		COILS		
					min	max	class "H" only		
	Code	[ISO 228]	[mm]	[l/min]	[bar]	AC [bar]	DC [bar]	Code	[Volts/Hz]
	D634DTT1	1/4"	10	21	0.3	100	60	72Z1	24V DC
	D635DTT1	3/8"	10	24	0.3	100	60	72K1	24V 50/60Hz
	D636DTT 1	1/2"	10	25	0.3	100	60	74K1	110V 50Hz - 120V 60Hz
								77K1	230V 50Hz - 240V 60Hz



DIMENSIONS & WEIGHTS	G connection	A	B	C	D	weight
	[ISO 228]	[mm]	[mm]	[mm]	[mm]	[Kg]
	1/4"	54	100	CH 17	15.5	0,465
	3/8"	54	100	CH 17	15.5	0,465
	1/2"	54	100	CH 17	15.5	0,465