

Safety Valves

Type 06506



**Safety Valves, stainless steel,
type tested TÜV-SV.948. Liquid/ Granular/ Powder**

Standard safety valve
with FPM valve seal, closed bonnet,
with diaphragm for protection of the spring, with lifting device,
discharge holes with protection cap
Inlet: male thread type G (BSPP) acc. to ISO 228/1

Part No. 06506.X.1000

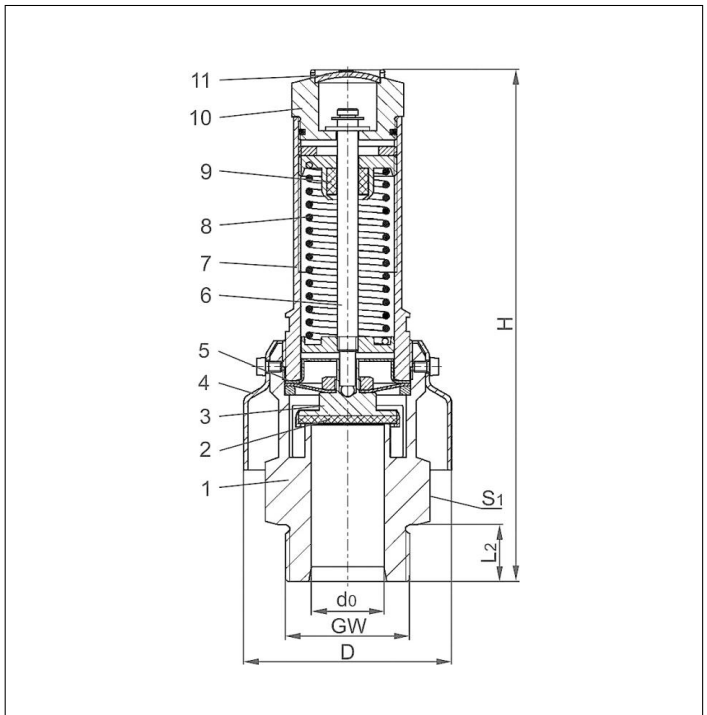


Applications:

Provided as safety device for protection against excessive pressure in vehicle containers and pressure vessels. Approved for liquid, granular and powdery goods.

Working temperature: -40°C / -40°F (233K) up to +200°C / +392°F (473K)

Materials	DIN EN	ASME/ASTM
1 Body	1.4408	A 351 CF8M
2 Valve seal	FPM (Viton-GLT)	
3 Disc	1.4401	A 479 Grade 316
4 Protection cap	1.4301	A 479 Grade 304
5 Diaphragm	Silicon	
6 Stem	1.4401	A 479 Grade 316
7 Bonnet	1.4401	A 479 Grade 316
8 Spring	1.4571	A 313 Grade 316Ti
9 Stem guide	PTFE	
10 Lifting device	1.4401	A 479 Grade 316
11 Closing cap	1.4401	A 479 Grade 316



Essential: Valves are delivered at a set pressure, therefore when ordering please confirm set pressure, medium and temperature.

Standard marking acc. to Pressure Equipment Directive 2014/68/EU (PED).



Type 06506	Technical data (GW 2 in preparation)					
	Nominal size	GW	1	1-1/4	1-1/2	2
Orifice	d ₀	24	31	31	-	-
Dimension code	.X.	1000	3112	3114	-	-
Set pressure range	bar	0.5-6.0	0.5-6.0	0.5-6.0	-	-
Height	H	194	191	191	-	-
Length	L ₂	18	22	22	-	-
Protection cap diameter	D	80	80	80	-	-
Wrench size across flats	S ₁	55	55	55	-	-
Weight	ca. kg	1.75	2.00	2.30	-	-
Coeff. of discharge from 3.0 bar	α _w	0.62	0.68	0.68	-	-
Coeff. of discharge from 3.5 bar	α _w	-	0.65	0.65	-	-
Coeff. of discharge from 4.5 bar	α _w	0.57	-	-	-	-

Dimensions in mm.

Safety Valves

Type 06506



Discharge capacities

Calculation of flow rate acc. to AD2000-Merkblatt A2

Medium:

Air in m³/h at 0°C and 1013.25 mbar

The capacity indicated below is for a fully opened valve.

d₀ - orifice

A₀ - flow area

Set pressure in bar (g)	GW	1	1-1/4	1-1/2	2
	d ₀ (mm)	24.0	31.0	31.0	-
A ₀ (mm ²)	452.4	754.8	754.8	754.8	-
Medium	Air				
0.5		237	435	435	-
0.6		268	486	486	-
0.7		299	535	535	-
0.8		329	579	579	-
0.9		353	631	631	-
1.0		372	669	669	-
1.2		414	753	753	-
1.4		456	840	840	-
1.6		504	941	941	-
1.8		553	1031	1031	-
2.0		604	1123	1123	-
2.2		648	1200	1200	-
2.4		694	1277	1277	-
2.6		740	1354	1354	-
2.8		782	1431	1431	-
3.0		825	1511	1511	-
3.2		868	1588	1588	-
3.4		910	1665	1665	-
3.5		931	1628	1628	-
3.6		952	1665	1665	-
3.8		994	1739	1739	-
4.0		1036	1812	1812	-
4.2		1078	1886	1886	-
4.4		1120	1960	1960	-
4.5		1049	1997	1997	-
4.6		1069	2034	2034	-
4.8		1107	2107	2107	-
5.0		1148	2185	2185	-
5.2		1187	2259	2259	-
5.4		1226	2333	2333	-
5.6		1265	2407	2407	-
5.8		1304	2481	2481	-
6.0		1343	2555	2555	-