



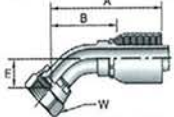
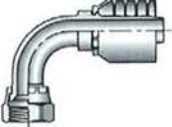

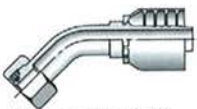
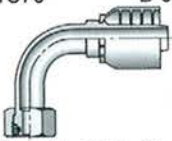

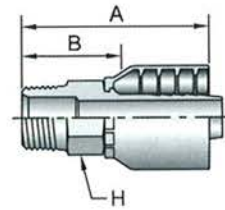


<p>NPTF Pipe</p> 	<p>10170 B-60</p>  <p>Male - Rigid</p>	<p>JIC 37°</p> 	<p>10670 B-60</p>  <p>Female - Swivel</p>	<p>13770 B-60</p>  <p>Female JIC 37° - Swivel 45° Elbow</p>	<p>13970 B-60</p>  <p>Female - Swivel 90° Elbow - Short</p>
<p>Metric</p> 	<p>10C70 B-60</p>  <p>Female Metric S - Swivel - 45° Elbow</p>	<p>11C70 B-61</p>  <p>Female Metric S - Swivel - 90° Elbow</p>	<p>1C970 B-61</p>  <p>Female - Swivel</p>		

# 10170

Male NPTF Pipe - Rigid

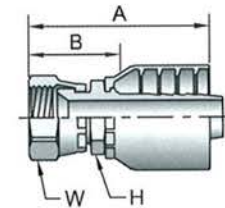
# Part Number	Thread inch	Hose I.D. inch	A		H inch	B	
			inch	mm		inch	mm
10170-6-6	3/8x18	3/8	2.37	60	3/4	1.47	37
10170-8-8	1/2x14	1/2	2.84	72	7/8	1.40	36



# 10670

Female JIC 37° - Swivel

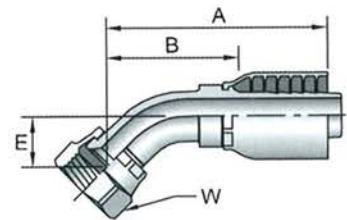
# Part Number	Thread inch		Hose I.D. inch	A		H inch	W inch	B	
	inch	mm		inch	mm			inch	mm
10670-6-6	3/8	9/16x18	3/8	2.29	58	11/16	11/16	1.39	35
10670-8-8	1/2	3/4x16	1/2	2.62	67	13/16	7/8	1.41	36
10670-10-8	5/8	7/8x14	1/2	2.85	72	7/8	1	1.64	42



# 13770

Female JIC 37° - Swivel 45° Elbow

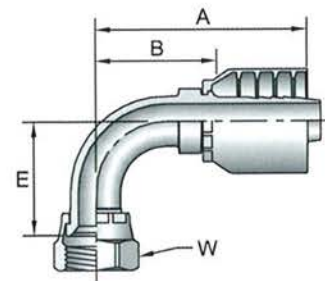
# Part Number	Thread inch		Hose I.D. inch	A		W mm	B	
	inch	mm		inch	mm		inch	mm
13770-6-6-SM	3/8	9/16x18	3/8	2.40	61	19	1.22	31
13770-8-8SM	1/2	3/4x16	1/2	2.87	73	22	1.50	38
13770-10-8SM	5/8	7/8x14	1/2	3.07	78	27	1.69	43



# 13970

Female JIC 37° - Swivel - 90° Elbow - Short Drop

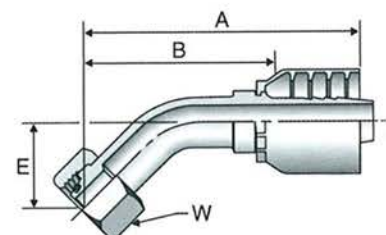
# Part Number	Thread mm		Hose I.D. inch	A		E		W mm	B	
	inch	mm		inch	mm	inch	mm		inch	mm
13970-6-6-SM	3/8	9/16x18	3/8	2.24	57	0.19	23	19	1.10	28
13970-8-8	1/2	3/4x16	1/2	2.62	67	1.14	29	22	1.41	36
13970-8-8-SM	1/2	3/4x16	1/2	2.68	68	1.10	28	22	1.30	33
13970-10-8-SM	1/2	3/4x16	1/2	2.91	74	1.26	32	27	1.54	39



# 10C70

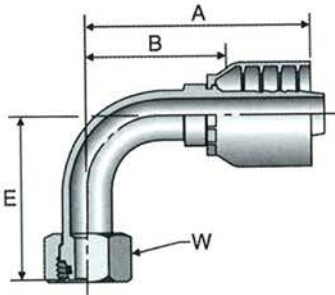
Female Metric S - Swivel - 45° Elbow - (24° Cone with O-Ring)  
ISO 12151-2 - SWE45

# Part Number	Thread mm		Hose I.D. inch	A		E		W mm	B	
	inch	mm		inch	mm	inch	mm		inch	mm
10C70-12-6	12	M20x1,5	3/8	2.72	69	0.79	20	24	1.57	40
10C70-16-8	16	M24x1,5	1/2	3.27	83	0.94	24	30	1.89	48



# 11C70

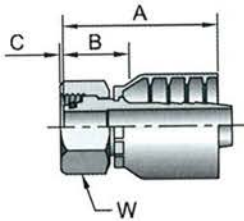
Female Metric S - Swivel - 90° Elbow - (24° Cone with O-Ring)  
ISO 12151-2 - SWE



# Part Number	Thread mm	Hose I.D. inch	A		E		W mm	B	
			inch	mm	inch	mm		inch	mm
11C70-12-6	12 M20x1,5	3/8	2.64	67	1.46	37	24	1.50	38
11C70-16-8	M24x1.5	1/2	2.83	72	1.77	45	30	0.81	37

# 1C970

Female Metric S - Swivel - (24° Cone with O-Ring)



# Part Number	Thread mm	Hose I.D. inch	A		C		W mm	B	
			inch	mm	inch	mm		inch	mm
1C970-12-6	12 M20x1,5	3/8	2.03	52	0.03	1	24	1.13	29
1C970-16-8	16 M24x1,5	1/2	2.31	59	0.09	2	30	1.10	28
1C970-20-10	20 M30x2	5/8	2.51	64	0.05	1	36	1.26	32

When measuring overall length to end of nut, B + C dimensions must be used to calculate cut-off allowance.